

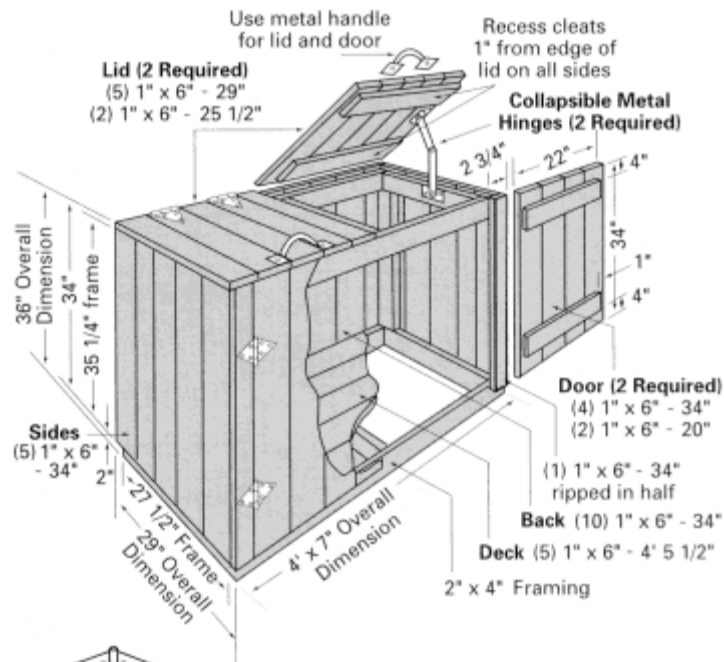
# STORAGE AND TRASH CAN BIN



## Storage and Trash Can Bin

### Lumber

- ▲ Frame: (2) 2"x 4" - 14'
- ▲ Front, Back, Sides, Deck, Lids and Doors:
  - (20) 1"x 6" - 6'
  - (2) 1"x 6" - 8'
  - (3) 1"x 6" - 10'



### Hardware

- ▲ Frame to Frame: 2" Nails as required
- ▲ All other 1" material: 1 1/2" Nails as required
- ▲ Lids: 2 pr. 5" Strap Hinges  
 (2) 5" Handles
- ▲ Doors: 2 pr. 2" Strap Hinges  
 (2) 5" Handles
- ▲ (1) Small Gate Latch