

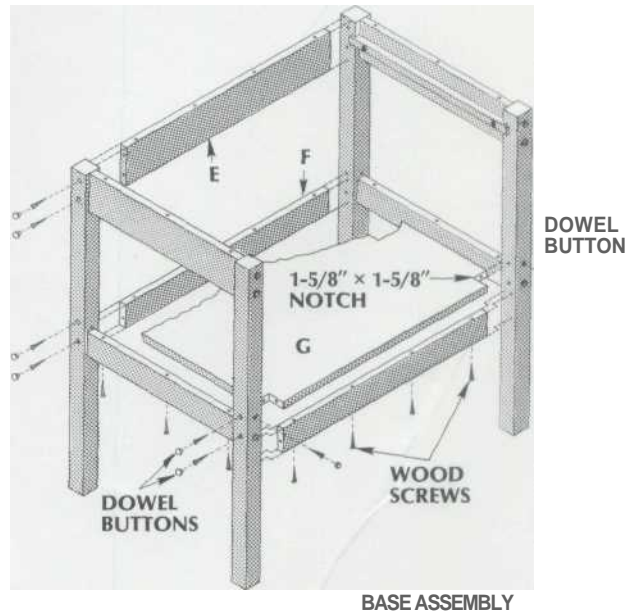
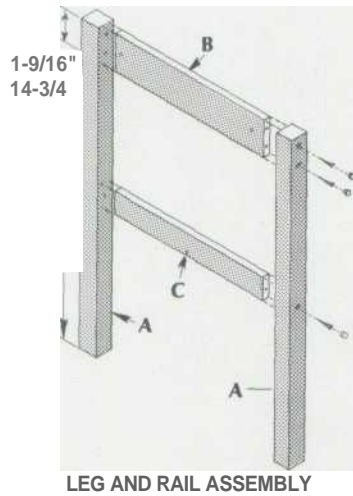
188
**BUTCHER BLOCK
MICROWAVE OVEN STAND**

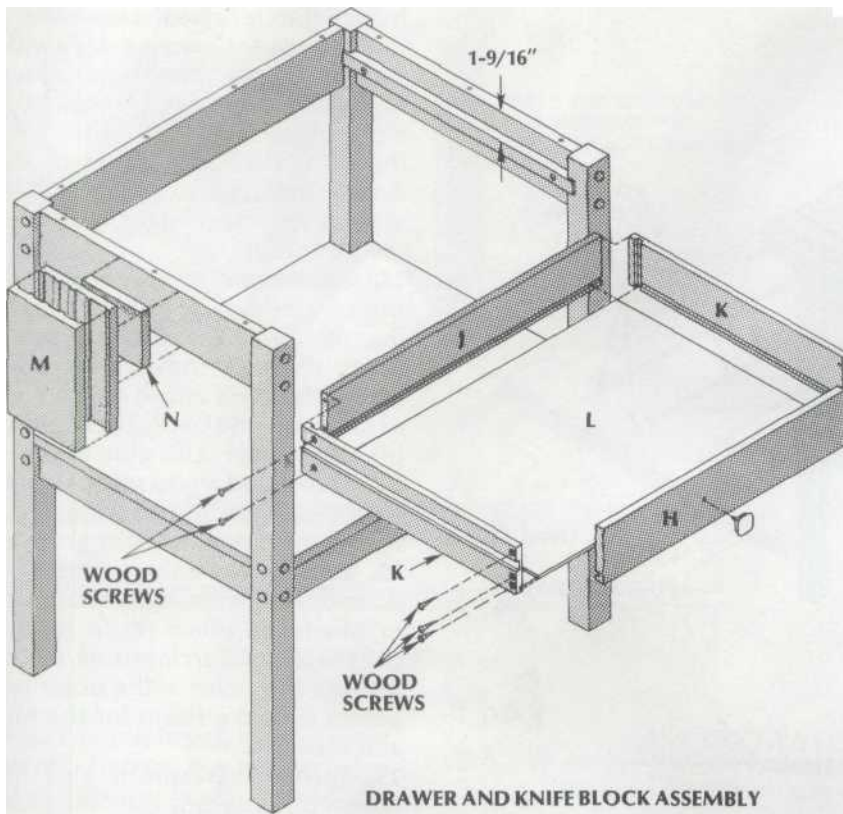


The butcher block has fallen out of favor in recent years, replaced by the countertop cutting board in an attempt to save space. This design, however, makes the butcher block a useful part of the kitchen once again. It has a drawer and shelves for storage, it can be moved to provide a cutting surface or extra counter space wherever needed, and it even has space for a microwave oven. In addition to the stand, plans are included for building a storage unit on the lower shelf in place of the oven.

MAKING THE STAND

1. Cut all pieces to size according to the dimensions given.
2. If you want to make the stand mobile and add casters to the legs (A), cut 2" off the length of the legs and drill a center hole in the bottom of each one to accept the caster shaft.
3. Lay out the positions of the rail joints on the legs as indicated in the drawings. Note that all rails are centered on the width of the legs and that the tops of the upper rails (B, E) and legs are flush. The lower rails (C, F) should be set 14-3/4"





1-5/8" x 1-5/8" notches on each corner of the shelf for fitting it between the legs.

7. Fasten the legs and rails together using wood glue and #8 x 1-3/4" wood screws. Then fasten the shelf in place, running #8 x 1-3/4" screws through the rails into its underside.

8. Position the drawer guides against the inside faces and 1-9/16" below the upper edges of the upper end rails. Fasten the guides to the rails using wood glue and #6 x 1-1/4" wood screws. Countersink the screws so their heads will not interfere with the operation of the drawers.

9. Cut a 3/4"-wide x 1/4"-deep groove 1" below the upper edge along the outside face of each drawer side (K). Check the fit between these grooves and the drawer guides. If necessary, widen the grooves to allow the drawer sides to slide smoothly back and forth on the guides.

10. Cut 1/2"-wide x 1/2"-deep rabbets across the ends of the drawer

above the bottoms of the legs, unless the shelf (G) will house a microwave oven. In that case, drop the lower rails 4".

4. Drill, countersink, and counterbore pilot holes for a pair of #8 wood screws at each joint between rails and legs. Drill through the legs into the ends of the rails and make the counterbores 3/8" in diameter and 3/4" deep.

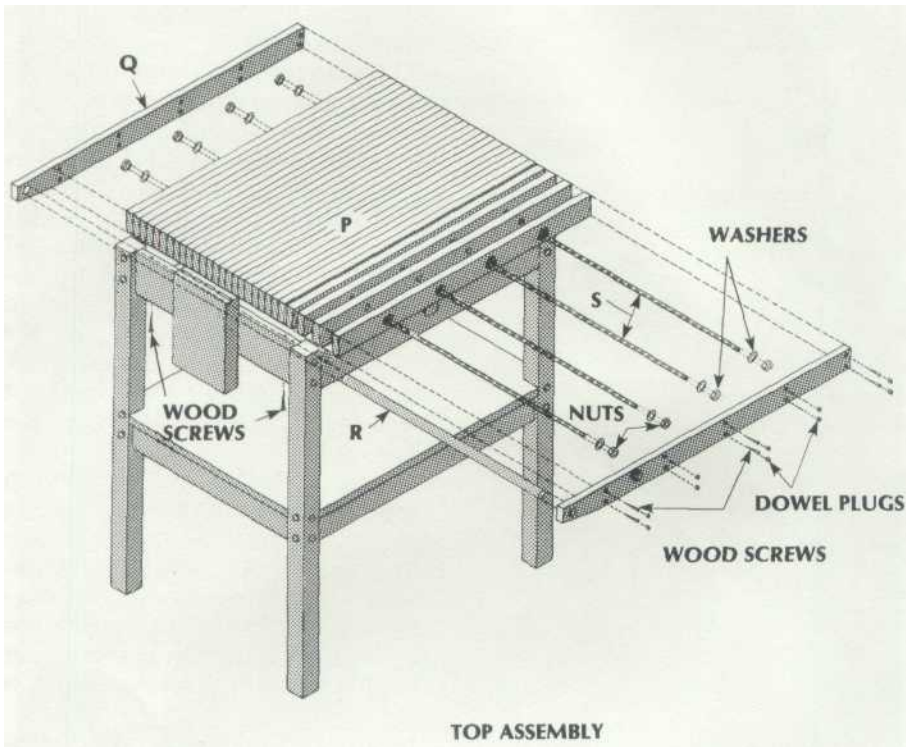
5. Drill another set of counterbored pilot holes for #8 screws through each of the lower rails—three holes in each end rail and four in each front and back rail. Run the holes through the width of the rails, from the lower to the upper edges, and make the counterbores 1-3/8" deep. It might help to drill the counterbores first, then use a long, thin bit to complete the pilot holes.

6. Cut 3/8"-wide x 1/2"-deep rabbets across the rear ends and 1" x 1/2" rabbets across the front ends of the drawer guides (D). Also, cut

LIST OF MATERIALS (Stand)

(finished dimensions in inches)

A	Legs (4)	1-3/4 x 1-3/4 x 34
B	Upper end rails (2)	3/4 x 4 x 18-3/4
C	Lower end rails (2)	3/4 x 2-1/2 x 18-3/4
D	Drawer guides (2)	3/4 x 3/4 x 20-1/8
E	Upper back rail (2)	3/4 x 4 x 24-3/4
F	Lower back and front rails (2)	3/4 x 2-1/2 x 24-3/4
G	Shelf	3/4 x 22 x 28
H	Drawer front	3/4 x 4 x 24-5/8
J	Drawer back	1/2 x 3-1/2 x 24-1/8
K	Drawer sides (2)	1/2 x 3-1/2 x 18
L	Drawer bottom	1/4 x 17-1/2 x 24-1/8 plywood
M	Knife block (2)	3/4 x 6 x 9
N	Spacer block	5/8 x 5 x 4
P	Butcher block top pieces (28)	3/4 x 2 x 28-1/2
Q	Top facings (2)	3/4 x 2 x 32-1/2
R	Handle	1 dia. x 22-1/2
	Threaded metal rods (4)	3/8 dia. x 20-7/8
	Flathead wood screws	#6 x 1-1/4
	Flathead wood screws	#8 x 1-1/2
	Flathead wood screws	#8 x 1-3/4
	Washers and nuts	
	Dowel buttons and dowel plugs	3/8 dia.
	Drawer pull	
	Wood glue	

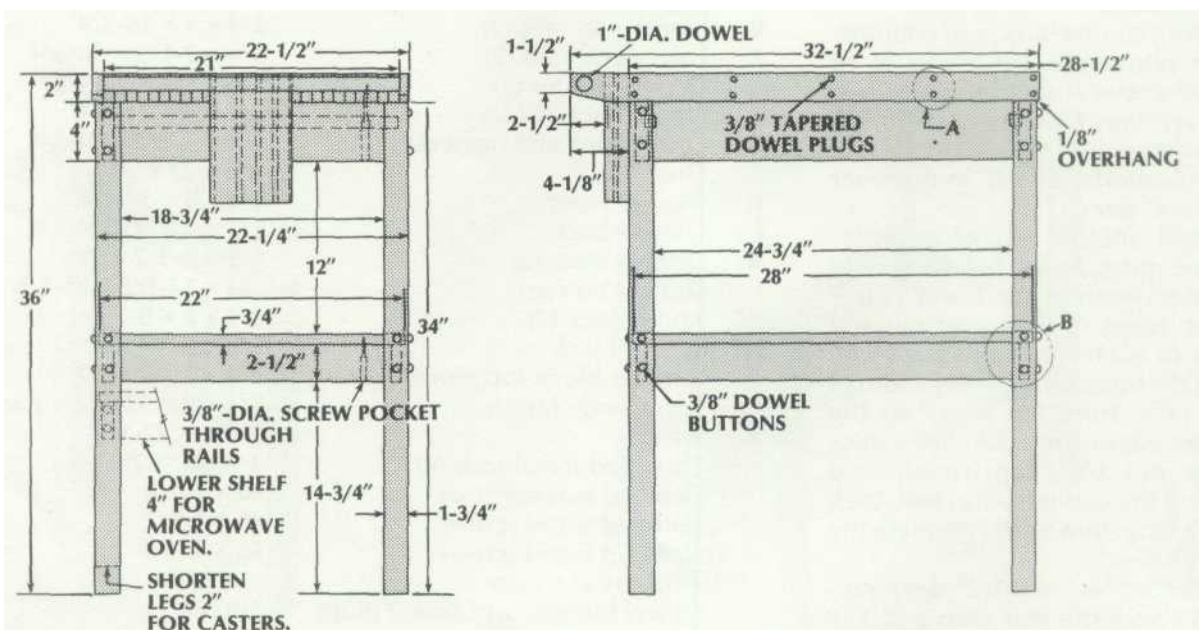


front (H) to receive the ends of the sides. Cut 1/4"-deep x 1/2"-wide dados across the drawer sides, 1/2" in from the rear, to receive the ends of the back (J). Cut 1/4"-deep x 1/4"-wide grooves in the drawer front, back, and sides, 1/4" above their lower edges, to receive the bottom (L).

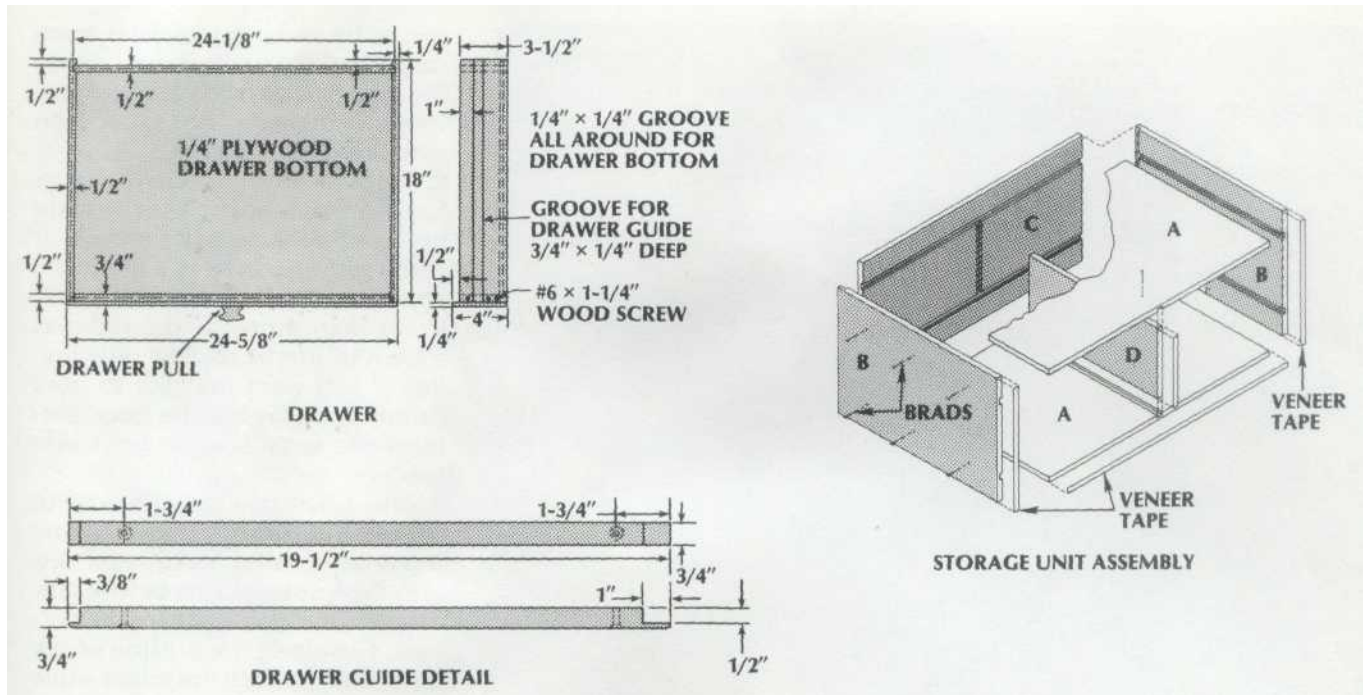
11. Center and drill a screw hole through the drawer front for attaching the pull. Countersink screw holes through the drawer sides where they will attach to the ends of the front and back. Then assemble the drawer. Use glue and #6 x 1-1/4" flathead wood screws to join the sides, front, and back, but leave the bottom unglued in the grooves.

12. Drill four evenly spaced 3/8"-diameter holes through each butcher block top piece (P) to receive the metal reinforcing rods. Counterbore the holes in the outer two pieces to make room for the nuts and washers.

13. Spread waterproof glue between all adjacent butcher block top pieces. Thread the rods through



BUTCHER BLOCK MICROWAVE STAND LAYOUT



the pieces and install the nuts and washers. Tighten the nuts to align and clamp the pieces while the glue dries.

14. Trim one end of each facing (Q) to the profile shown in the stand layout drawing and drill holes for the ends of the handle (R). Begin the tapers 3" from the ends and center the holes 1-1/4" from the ends of the facing pieces.

15. Fasten the facings to the top using waterproof glue and #8 x 1-1/2" flathead wood screws, making their right ends and upper edges flush. Glue the handle in place at the same time. Position the screw holes where you will not hit the metal rods. Counterbore the holes and fill them with 3/8"-diameter plugs.

16. Sand the top and facings flush, then finish them with mineral oil or a similar non toxic finish. Sand the rest of the stand, fill the counterbored holes with wood buttons, then apply polyurethane or another finish of choice.

17. Center the top on the frame and mark the position of the screw holes in the upper edges of the rails. Drill pilot holes into the un-

derside of the block top, then fasten it to the rails using #8 x 1-3/4" flathead wood screws. 18. Cut matching 1/16"-deep grooves in the two halves of the knife block (M). Then glue the pieces together, aligning the grooves. Nail or screw the 5/8"-thick spacer block (N) to the left end rail, then glue the knife block to the spacer, making its top flush with the upper surface of the butcher block.

MAKING THE STORAGE UNIT

1. Cut all pieces to size from 1/2"-thick veneer plywood.

2. Cut 1/2"-wide x 1/4"-deep rabbets across the rear ends of the sides (B) and 1/2" x 1/4" grooves, spaced 6-1/2" apart, along the length of the sides and back (C). Also, cut 1/2" x 1/4" dados across the center of the top and bottom (A) and back. The dado on the back should only connect the two grooves.

3. Assemble the unit with glue and #17 x 1" wire brads. Set the brads and fill with a wood filler that matches the finish you will be using.

4. Cover all exposed edges of the plywood with veneer tape.

5. Finish the drawer to match the stand and storage unit, then install.

LIST OF MATERIALS (Storage Unit)

(finished dimensions in inches)

A	Top and bottom (2)	1/2 x 16-3/4 x 24 plywood
B	Sides (2)	1/2 x 11-1/2 x 17 plywood
C	Back	1/2 x 11-1/2 x 24 plywood
D	Divider	1/2 x 7 x 16-3/4 plywood
	Wire brads	#17 x 1
	Veneer tape	
	Wood filler	
	Wood glue	