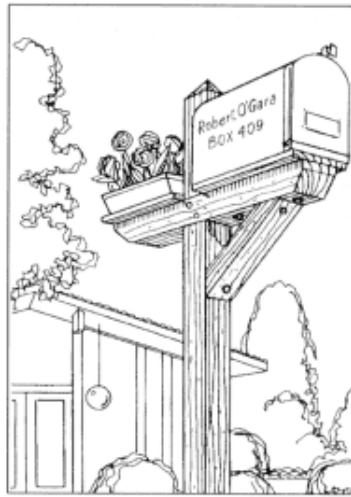


MAIL BOX STAND



Mailbox Stand and Planter

Lumber Stand

▲ Post, Arm and Brace:

(1) 4" x 4" - 12'

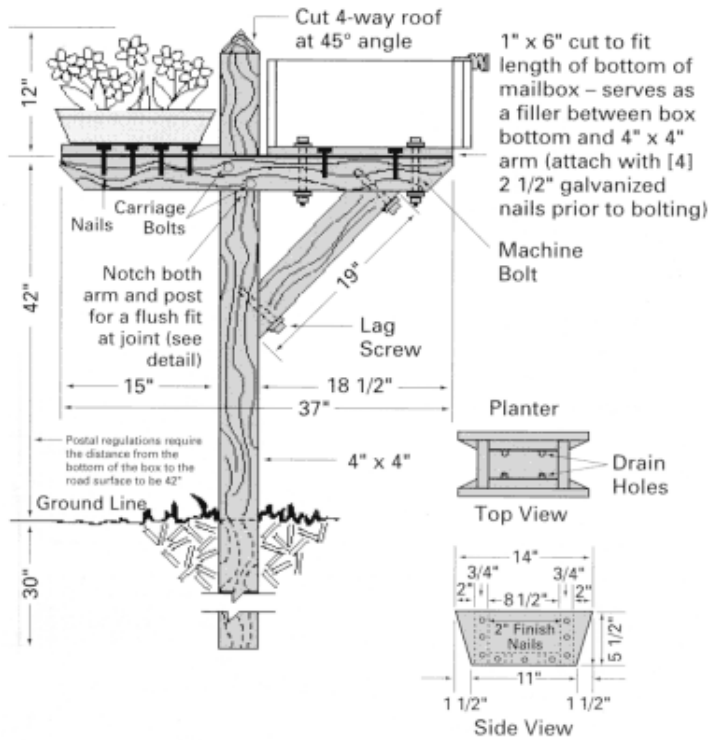
▲ Box and Planter Base:

(1) 1" x 6" - 3'

Planter

▲ Sides, Ends and Bottom:

(1) 1" x 6" - 4'



Hardware Stand

▲ Carriage Bolts with Nuts:
(2) 5/16" x 4"

▲ Lag Screws:
(2) 5/16" x 4"

▲ Machine Bolts with Nuts:
(2) 5/16" x 5"

▲ Flat Washers (std.):
(10) 5/16" I.D.

Planter

▲ 6d Galvanized Nails as Required

