

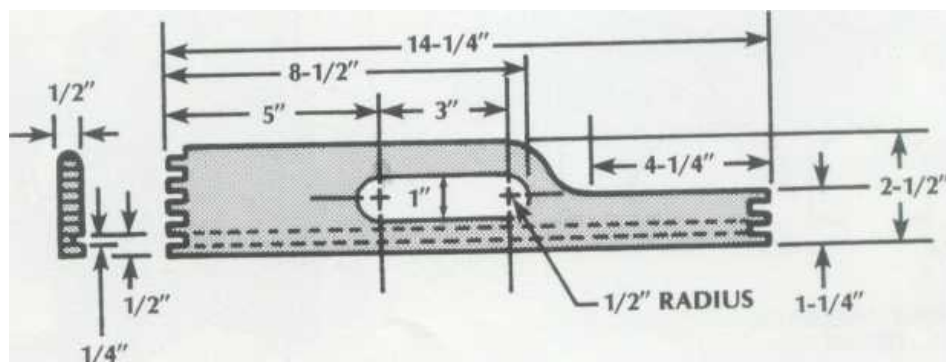
187
LAP TRAY AND COASTERS

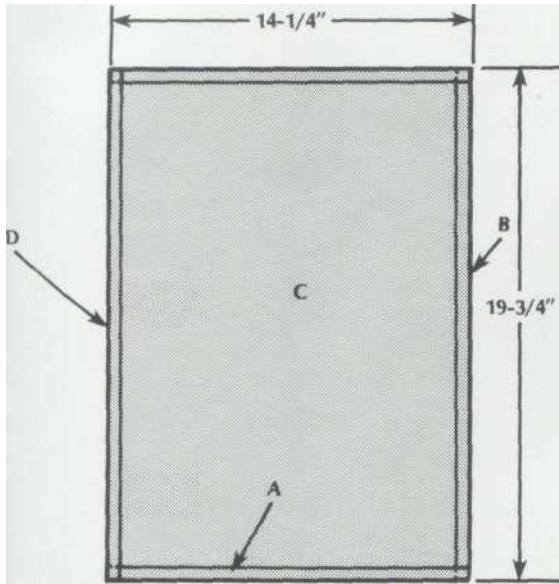


For serving everything from snacks to meals, this handsome ap tray will be a welcome addition to your kitchen. And, to complement the tray, the easy-to-make coasters are perfect. Once the coaster project is properly set up, you can make numerous sets to give as gifts.

LAP TRAY

1. Cut the various parts to size using the dimensions given.
2. Make a template for the sides (A) using the pattern provided. Use a scroll saw, bandsaw, or jigsaw to cut out the sides, then cut out the handle holes.
3. Smooth the curved surfaces with a small drum sander.
4. Using a router with a $\frac{1}{4}$ " rounding over bit, shape the top edge of the sides and the handle holes. Shape the top edge of the front (B) and back (D) as well.
5. Using a $\frac{1}{4}$ " dado head set to a depth of $\frac{1}{2}$ ", cut the fingers for the box joint corners on both ends of the sides, bottom, and back.
6. Reset the dado head to a depth of $\frac{7}{32}$ ", then cut the $\frac{1}{4}$ "-wide grooves in the sides, front, and back to accept the bottom (C).
7. Assemble the tray using glue in the corner joints, but leaving the bottom free to respond to movement of the other parts.
8. Sand the tray and finish as desired.





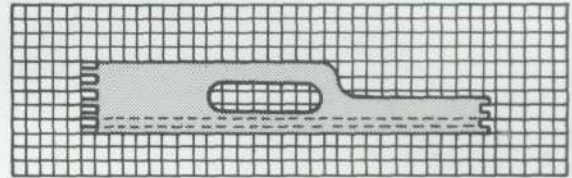
LIST OF MATERIALS (Lap Tray)

(finished dimensions in inches)

A	Sides (2)	$1/2 \times 2-1/2 \times 14-1/4$
B	Front	$1/2 \times 1-1/4 \times 19-3/4$
C	Bottom	$1/4 \times 13-5/8 \times 19-1/8$ plywood
D	Back	$1/2 \times 2-1/2 \times 19-3/4$

Wood glue

ONE SQUARE = $1/2''$



SIDE PATTERN

COASTERS

1. Cut the parts to size using the dimensions given, then sand smooth. Cut the coasters (A) so that the grain runs diagonally to all four edges.
2. Shape the edges of the base (B) using a hand-held router equipped with a roman ogee bit.
3. Use a $1/4''$ -inch dado head set to a depth of $9/32''$ to cut the grooves in the coasters. Cut grooves $1/4''$ apart on one side of each piece, flip the piece over, rotate it 90° , and cut a second set of grooves.
4. Drill $1/4''$ -diameter holes $1/4''$ deep in the base to accommodate the dowels (C).
5. Glue the holders in place and check for squareness. Finish as desired.
6. Finish the coasters and holder as desired.

LIST OF MATERIALS (Coasters)

(finished dimensions in inches)

A	Coasters (4)	$1/2 \times 3-1/4 \times 3-1/4$
B	Base	$1/2 \times 4-1/4 \times 4-1/4$
C	Dowels (2)	$1/4$ -dia. $\times 2-1/4$

Wood glue

