

181
PLANT STAND



Here's a handsome pedestal to display your favorite plant. The original was made of clear grade redwood. The wider pieces were glued up from narrower stock and custom cut to the dimensions listed.

1. Cut all of the pieces to size according to the dimensions given.

2. Cut three plug holes in each column side (A) as shown. Locate the holes 2-1/2" from each end, with the remaining hole in between. All of the holes should be centered 3/8" from one edge of the piece.

3. Drill pilot holes for the wood screws in the center of the plug holes.

4. Assemble the column by gluing and screwing one corner at a time. Be sure that the assembly is square.

5. Round the edges of the column by sanding or routing with a 1/4" radius bit.

6. Cut 45° miters at the corners of the apron pieces (G).

7. Round or bead the upper edges of the top (E), then center the apron pieces on the underside of the top. Glue and screw through the apron into the top.

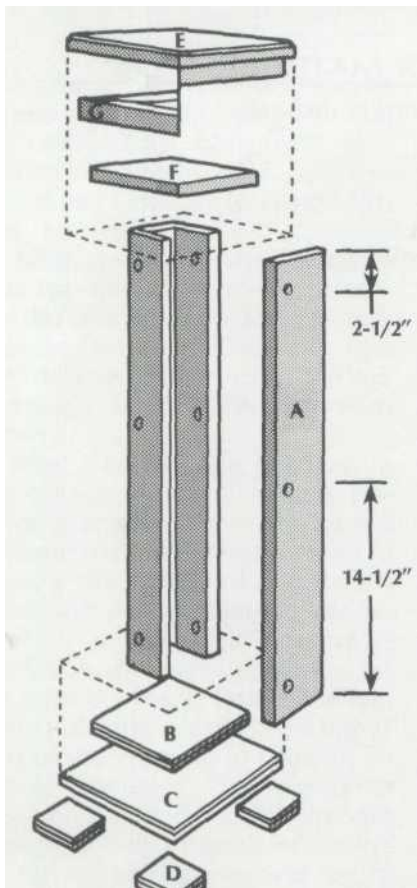
8. Center the bracket (F) on the column; then glue and screw it in place. Center the top/apron assembly on the bracket; glue and screw through the bracket into the apron.

9. Round or bead the upper edges of the base pieces (B, C) and feet (D); then sand.

10. Center the small base piece on the bottom of the column. Glue and screw it in place from underneath. Repeat with the large base piece.

11. Position the feet so they extend beyond the corners of the base as shown; secure with glue and screws.

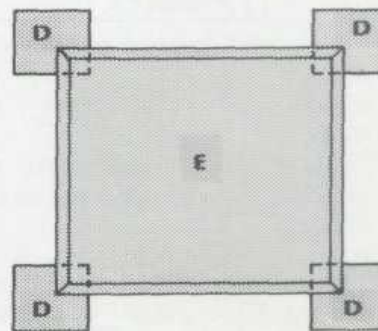
12. Sand the completed plant stand; finish as desired.



LIST OF MATERIALS

(finished dimensions in inches)

A	Column sides (4)	3/4 × 4 × 29
B	Base piece	3/4 × 7-1/2 × 7-1/2
C	Base piece	3/4 × 9-1/2 × 9-1/2
D	Feet (4)	3/4 × 3 × 3
E	Top	3/4 × 11-1/2 × 11-1/2
F	Bracket	3/4 × 7 × 7
G	Apron pieces (4)	3/4 × 3/4 × 10-1/2
	Flathead wood screws	#6 × 1-1/4
	Wood plugs	3/8 dia.
	Wood glue	



FOOT DETAIL