

PICNIC TABLE



Picnic Table

Lumber

- ▲ Seat, Top, Legs: (6) 2" x 6" - 12'
- ▲ Seat Supports: (1) 2" x 6" - 10'
- ▲ Table Supports, Braces: (2) 2" x 4" - 10'

Hardware

- ▲ (12) Galvanized Carriage Bolts: 3/8" x 3 1/2"
- ▲ (12) 3/8" Flat Washers
- ▲ 2 1/2" Galvanized Nails as required

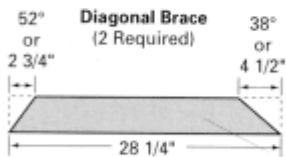
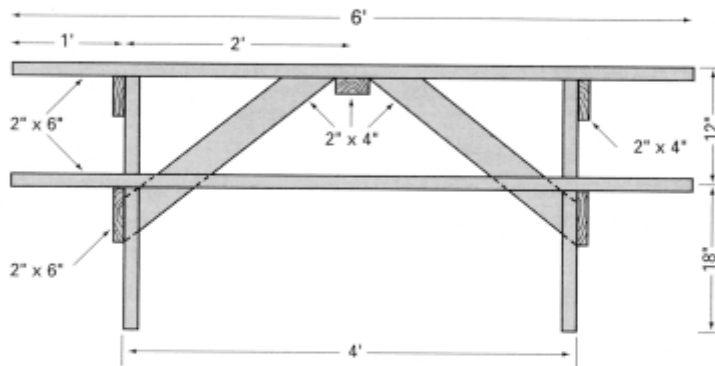


Table Leg Detail (4 Required)

